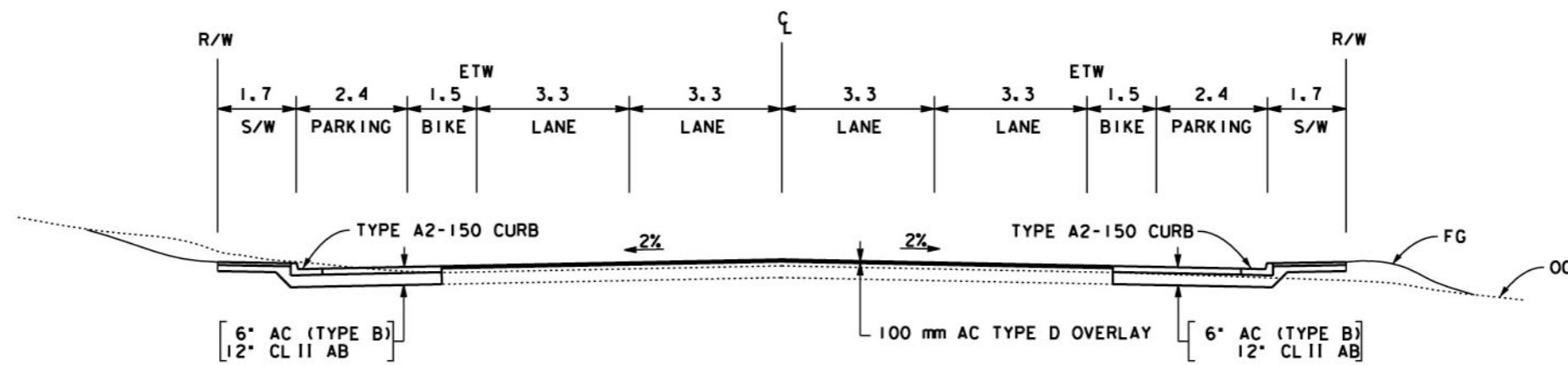


**ALT 3 - SR 28
TURN LANE AREAS AND NO PARKING**

STA 146+87 TO 148+75



**ALT 3 - SR 28
SR 267 TO CHIPMUNK**

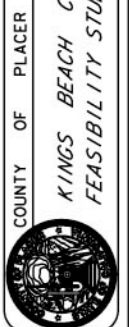
STA 146+87 TO 162+45

PLAN SCALE: NO SCALE
PROFILE SCALE: NA
HORIZ. SCALE: NA
VERT. SCALE: NA

DATE: 12/01/06
DESIGNED: REL
DRAWN: BRS
CHECKED: BRS
RECORD: NA
DRAWING: NA

CONTRACT NO.:

DEPARTMENT OF PUBLIC WORKS
KINGS BEACH COMMERCIAL CORE IMPROVEMENT PROJECT
FEASIBILITY STUDY - ALTERNATIVE 3 - TYPICAL SECTIONS



SHEET NO. 12 OF 18